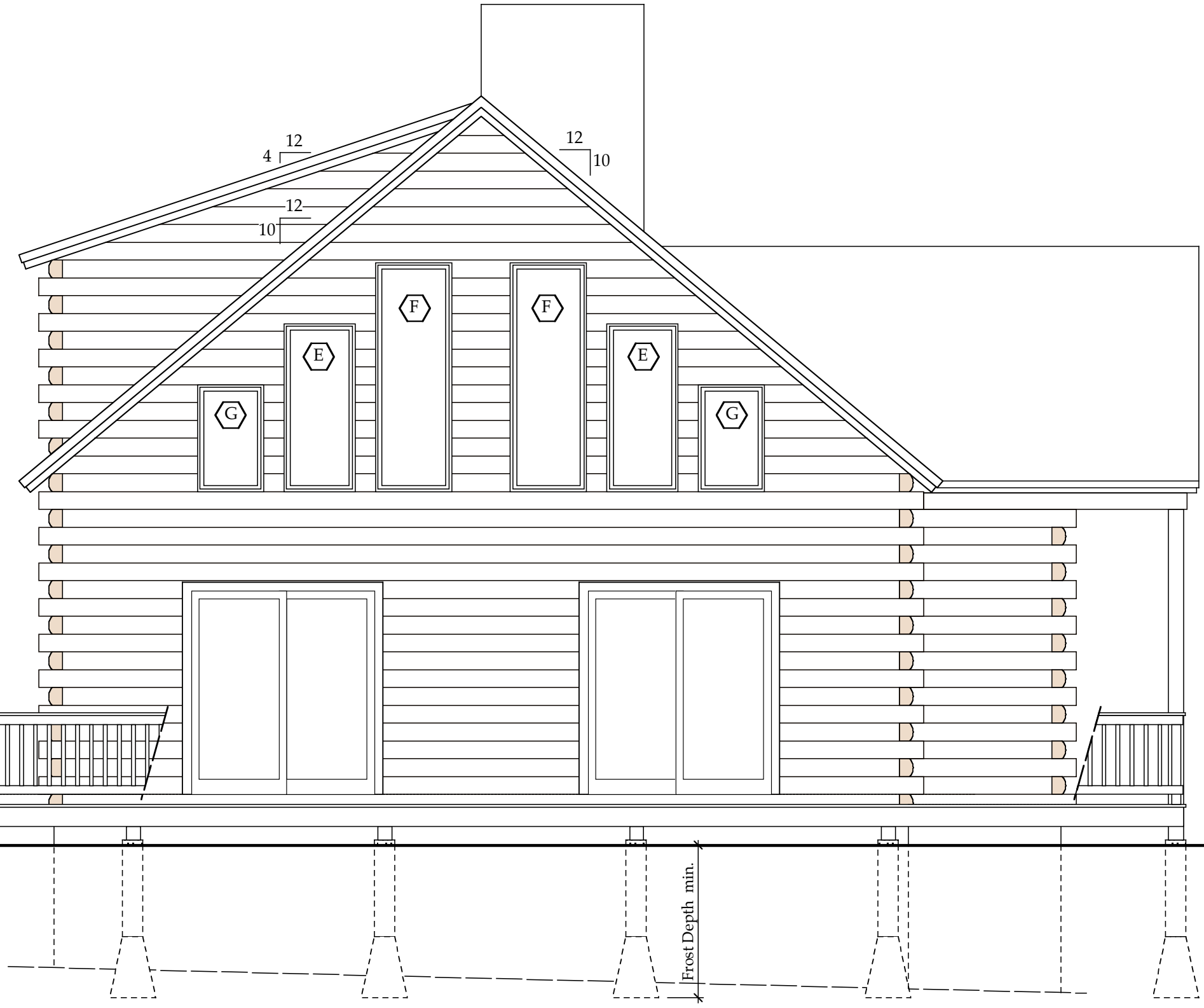
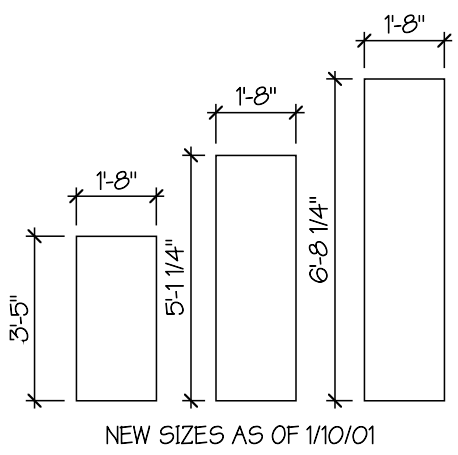


**John R. Guminak  
Drafting & Design  
Services**  
West Dover, Vt.  
For  
**Treehouse  
Timber Frame &  
Log Homes**  
W. Wardsboro, Vt.



2ND FLOOR LEVEL  
109'-0 3/4"

1ST FLOOR LEVEL  
100'-0"

Railing Design  
Per Owners  
Approval Typ.

LEFT ELEVATION

LOG HOME FOR KENNETH & STEPANIE KING PROJECT
9903 PROJECT #
8/10/00 DATE
1/4" = 1'-0" SCALE
LEFT ELEVATION
<b>A2.4</b> SHEET