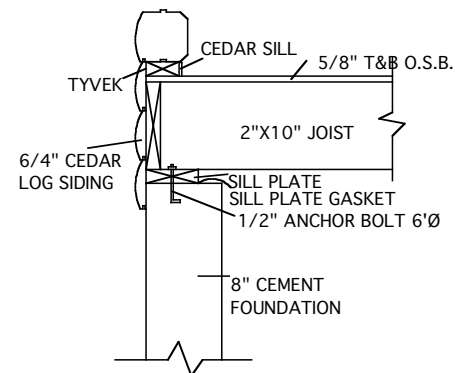
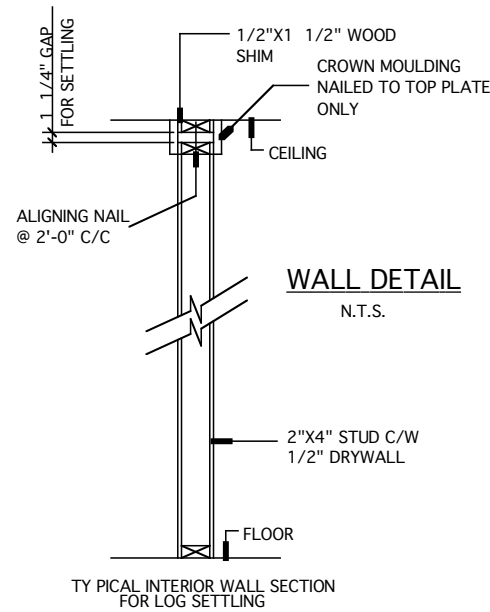


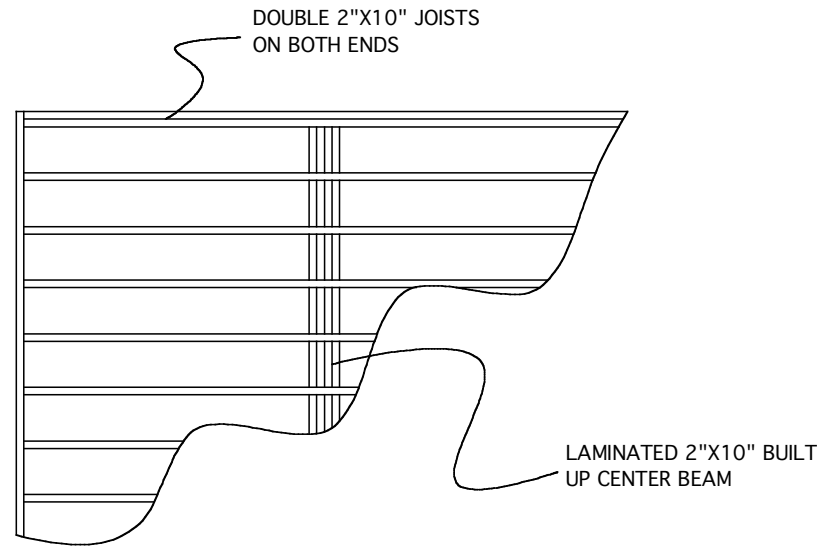
SECOND FLOOR DETAIL
N.T.S.



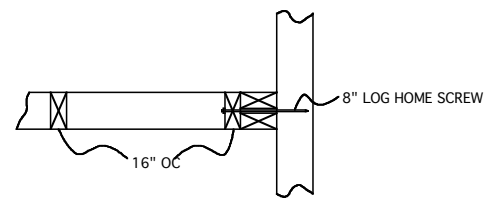
FIRST FLOOR DETAIL
N.T.S.



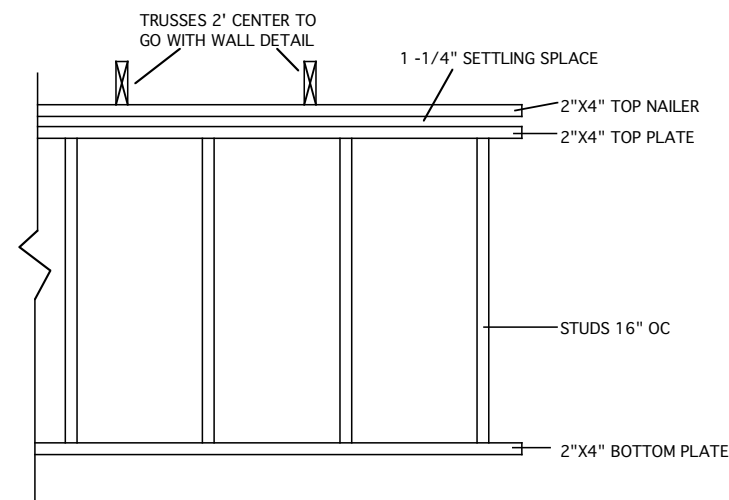
WALL DETAIL
N.T.S.



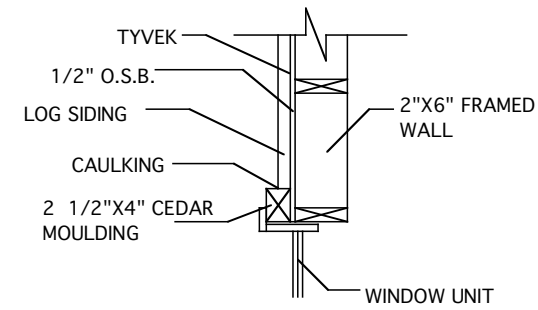
TYP. WALL JUNCTION



DETAILS

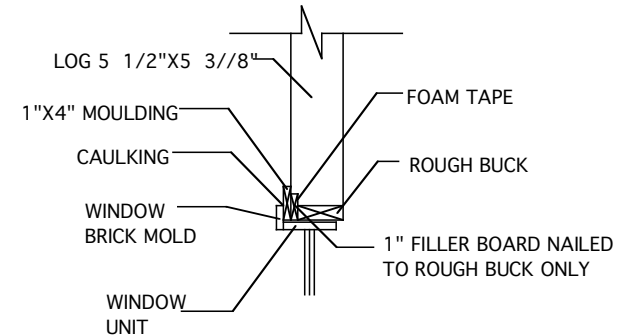


TOP VIEW



GABLE WINDOW DETAIL
N.T.S.

TOP VIEW



LOG WALL WINDOW/DOOR DETAIL
N.T.S.

STAMP:

A DETAIL NO#
B PAGE NO#
REQUIRED
C PAGE NO#



Treehouse Post
& Beam and
Log Home
Products

PROJECT:

Higbie

TITLE:

Details

DWG. BY:

D.G.

DATE:

April 14,
2003

SCALE:

1/4" = 1'-0"

NO.#

5 / 5